



**Electrolux**  
PROFESSIONAL

**Floor Drains and Collecting Tanks**  
**Floor Drain with Stainless Steel Grate**  
**and Central Drain - Vertical outlet**  
**400x500 mm**

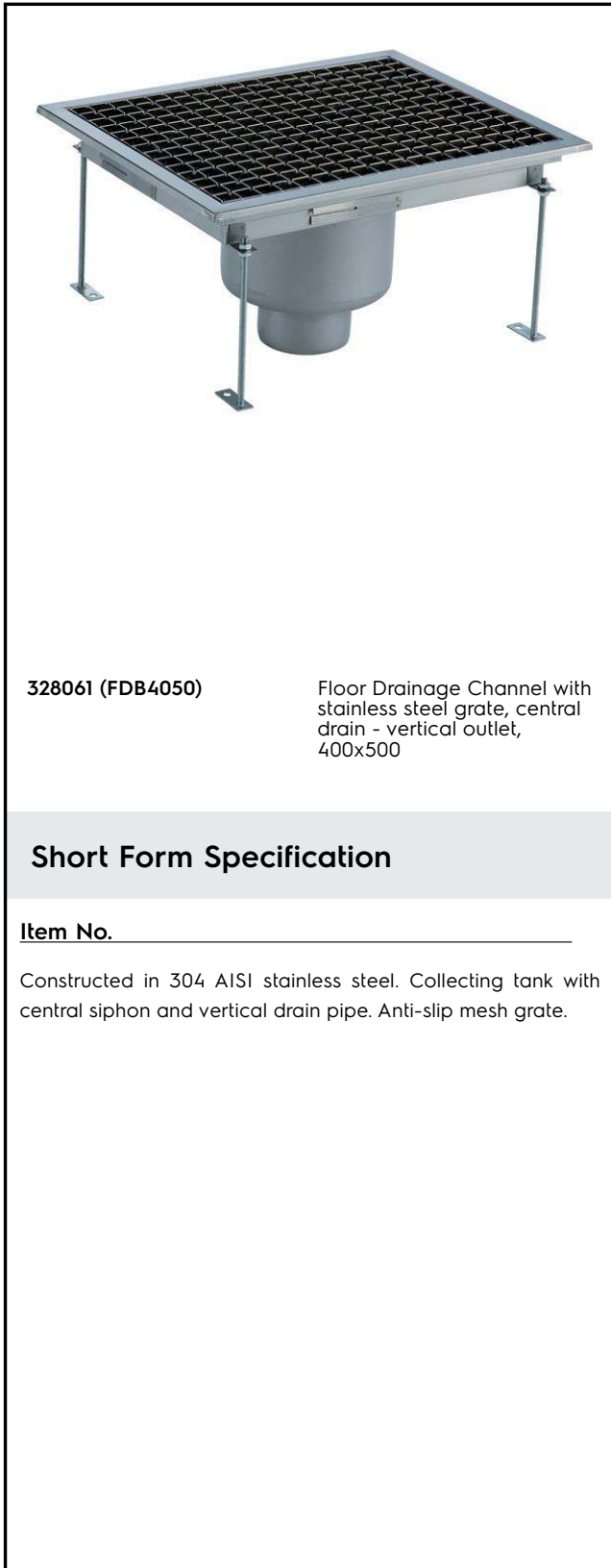
ITEM # \_\_\_\_\_

MODEL # \_\_\_\_\_

NAME # \_\_\_\_\_

SIS # \_\_\_\_\_

AIA # \_\_\_\_\_



**328061 (FDB4050)**

Floor Drainage Channel with stainless steel grate, central drain - vertical outlet, 400x500

### Short Form Specification

Item No. \_\_\_\_\_

Constructed in 304 AISI stainless steel. Collecting tank with central siphon and vertical drain pipe. Anti-slip mesh grate.

### Main Features

- Easy to install.
- Anti-odour syphon.
- Removable waste blocking filter.
- Rag bolt for floor fixing.
- Easy to inspect for any possible waste removal action.
- Electrochemical finishing gives grids a bright appearance.
- Ideal for any drain solution, particularly suggested for great amounts of water drained during cleaning operations.

### Construction

- Adjustable leveling feet.
- Anti-slip mesh 25x25 mm grating, h=25 mm, 1.5 mm in thickness.
- Collecting tanks available with vertical drain pipe.
- Constructed entirely in 304 AISI stainless steel.
- Collecting tanks with central siphon.

APPROVAL: \_\_\_\_\_



Experience the Excellence  
[www.electroluxprofessional.com](http://www.electroluxprofessional.com)

**Key Information:**

External dimensions, Width:	
328061 (FDB4050)	500 mm
External dimensions, Depth:	400 mm
External dimensions, Height:	265 mm
Net weight:	15 kg

